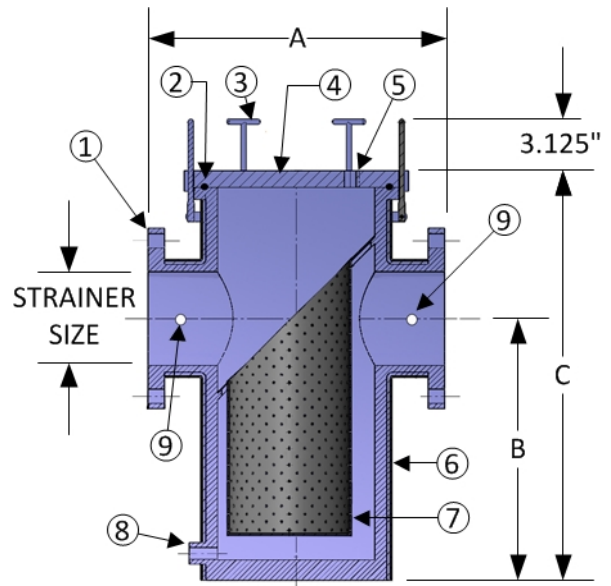


Fluidtrol ESW Series LSS FRP Clear Cap Aquatic Basket Strainer

ITEM	PART	MATERIAL
1	FLANGE	PVC – SCH 80 Van Stone
2	GASKET	O-RING - EPDM
3	T-HANDLE	SS316 – 3/8" EASY ACCESS
4	COVER	CAST ACRYLIC
5	VENT	½" PVC FPT
6	BODY	MOLDED FRP
7	BASKET	¼" PERF SS316
8	DRAIN	PVC NPT – UNDER INLET
9	TAPS	¼" NPT ON INLET/OUTLET ARMS



Qty	MODEL NUMBER	STRAINER SIZE	FACE TO FACE A	CENTER LINE B	OA HEIGHT C	BASKET SURFACE AREA	Weight LBS	Notes
	ESW116003031	3	13 ¾	11 ⅝	20	200 in ²	28	
	ESW116004031	4	18	23 ½	32 ½	350 in ²	45	
	ESW116006031	6	20	21 ½	33	505 in ²	69	
	ESW116008031	8	23	25	39	781 in ²	88	
	ESW116010031	10	27 ½	31 ⅝	45 ½	1,045 in ²	140	
	ESW116012031	12	30	29	42	1,378 in ²	172	
14" Sizes and Up- Please Inquire								

The Fluidtrol ESW Series is an oversized non-metallic composite inline basket strainer engineered for Zoo and Aquatic Life Support Systems. The oversized version of the SW Series; this strainer is the proper choice for high loading or high flow applications. Strainers are rated for Full Vacuum through 50 psi. Wetted surfaces are comprised of FRP (Fiberglass Reinforced Plastic with High Quality Vinyl Ester Resin), PVC and EPDM. This composite construction offers the highest corrosion resistance along with the structural integrity to project 20-30 year lifespan. FRP has excellent electrical insulation properties. This is another of Fluidtrol's optimized strainer designs resulting in maximum flow capacity/minimal space requirement. The standard basket is SS316-1/4" Perforations, but many options exist for clients requiring a different filtration level or material of construction. Contact Fluidtrol if custom configurations or dimensions are required.

