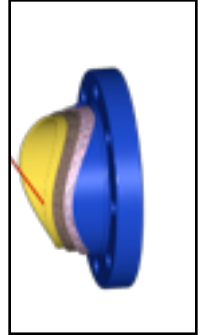


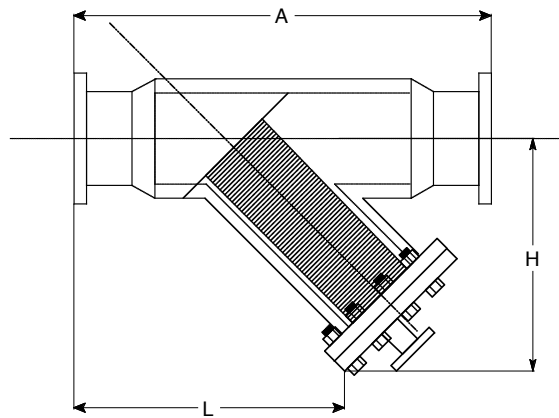
## Wye Strainers

Fluidtrol Process Technologies, Inc. manufactures Wye Strainers to standards that exceed industry standards. These strainers are made for critical applications where high flow rates and high loading potential exists, while low pressure drops are desired.

Materials of Construction include PVC, CPVC, PP and PVDF lined FRP. This lamination construction combines the chemical resistance of the particular liner material (thermoplastic) and the structural strength of fiberglass. Wye Strainers are also offered in all-FRP construction. Resins can be used for high temperature and abrasive applications.



- EPDM lid gasket is standard, but Viton and Teflon are also options.
- Flanged lid with stainless bolts, nuts and washers are standard. T-Handle Design for easy lid removal is an option.
- Baskets are 1/4" perforated- made from same material as the strainer (FRP Wyes have PVDF Baskets). Other perms/materials are available.
- Pipe connections are Flanges. Threaded, socket, groove latch and True Union couplings are also available.
- Flanged or threaded blowdown ports are provided.
- Custom dimensions and designs are readily available.



WYE STRAINER DIMENSIONS				PERFORMANCE CRITERIA		
Flange Size	A	H	L	Basket Surface Area (in <sup>2</sup> )	Ratio- Basket Surface: Pipe	Flow Rate = 1 psid (Clean Basket)
2"	23	12	15.625	72.2	23	140 GPM
3"	28	18	21.375	72.2	10.2	140 GPM
4"	32	18	23	207.2	16.5	400 GPM
6"	39	20.875	28.25	384.3	13.6	790 GPM
8"	48	26	33.125	594.6	11.8	1150 GPM
10"	50	29.875	35	826.6	10.5	1600 GPM
12"	56	32.875	41.875	1130.4	10	2230 GPM
14"	60	41	45.25	1519.8	9.9	3000 GPM

