

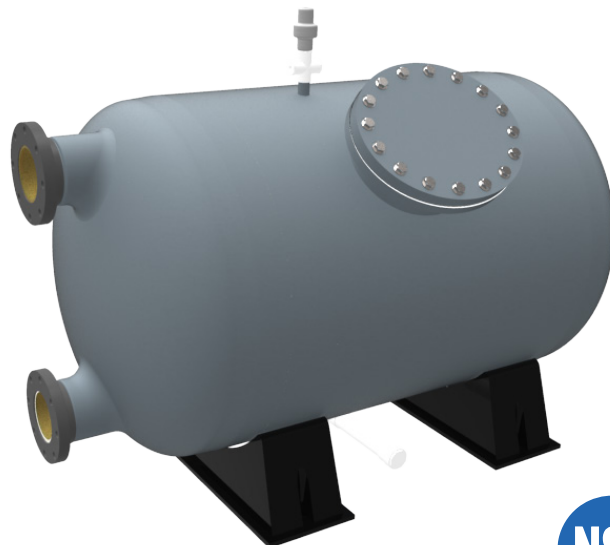
# HIGH RATE SAND FILTER

## Designed for Quick Installation

Rugged lateral and diffusers are pre-installed and should never need maintenance.

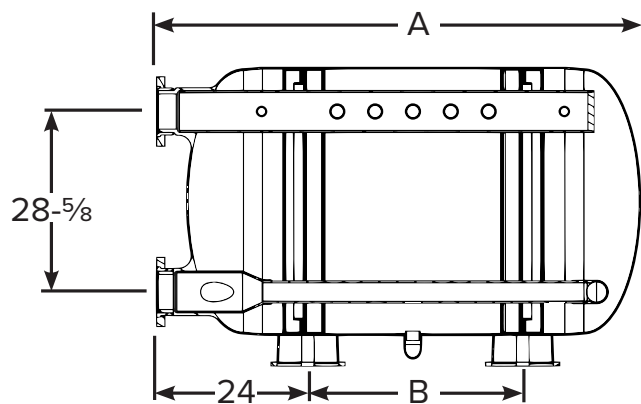
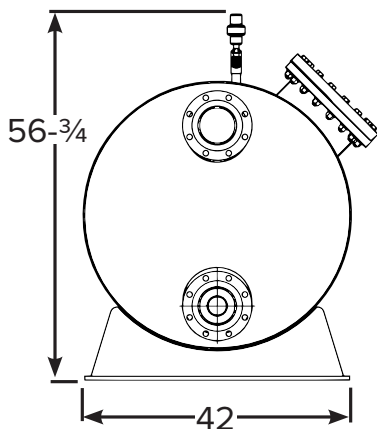
Load filter without going inside, reduces time and cost.

Removable air release assembly allows for lower clearance during installation.



### Customer Committed

- 30+ years in Aquatic Manufacturing
- 98+% Customer Satisfaction
- Immediate US Customer Support
- Support parts ship next day
- US Based Manufacturing



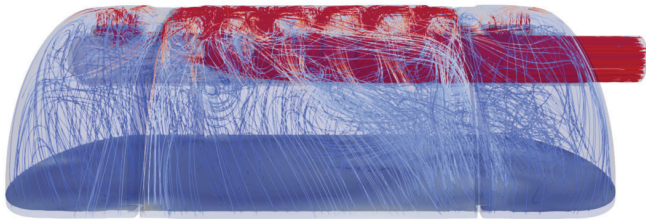
**PRESSURE RATING:** 50 PSI  
**SERVICE FLUID:** POOL  
**VENT:** 1" NPT  
**DRAIN:** 2" NPT  
**FLOW:** 5-20 GPM/ FT<sup>2</sup>

Part Numbers	INLET/ OUTLET	LENGTH (Inches) A	LENGTH (Inches) B	FILTER AREA (ft <sup>2</sup> )	FLOW 20 gpm/ ft <sup>2</sup> (gpm)	DP (psi)
FPT-HSF42H72C	6	76-3/4	34-3/4	19.8	395	3-1/2
FPT-HSF42H96C	6	100-3/4	58-3/4	26.8	535	3-1/2
FPT-HSF42H120C	6	124-3/4	82-3/4	33.8	675	3-1/2
FPT-HSF42H144C	6	148-3/4	106-3/4	40.8	815	3-1/2

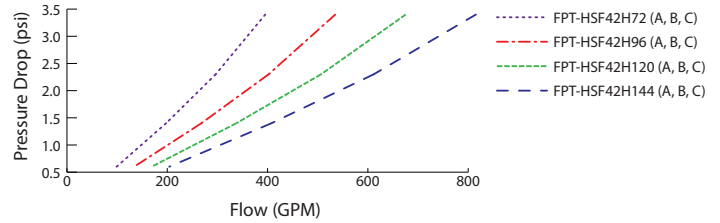
7/23/2020

# HIGH RATE SAND FILTER

## Innovative Engineering



### Clean Filter Pressure Drop



The effluent uses the TRIFLOW, which balances flow across three laterals with minimal pressure drop.

Traditional lateral designs have significant pressure drop, robbing the pump of power.

Our design was developed through multiple iterations of computational fluid dynamics and validated in an independent lab.

Reducing the clean filter pressure drop directly translates into energy savings. A leading pool filter manufacturer has filters ranging from 12 to 15 psi pressure drop. Our filters can reduce the pump electrical demand 60-77%. LEED methodology gives credits to pool designers that choose innovative designs that reduce capital costs and wasted energy.

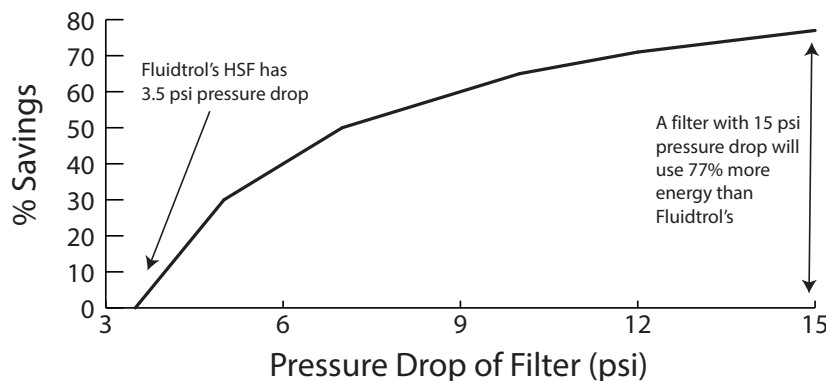
Fluidtrol has engineering support for technical questions.



**Fluidtrol's TRIFLOW**  
 balances flow across  
 three laterals.

US Patent Pending

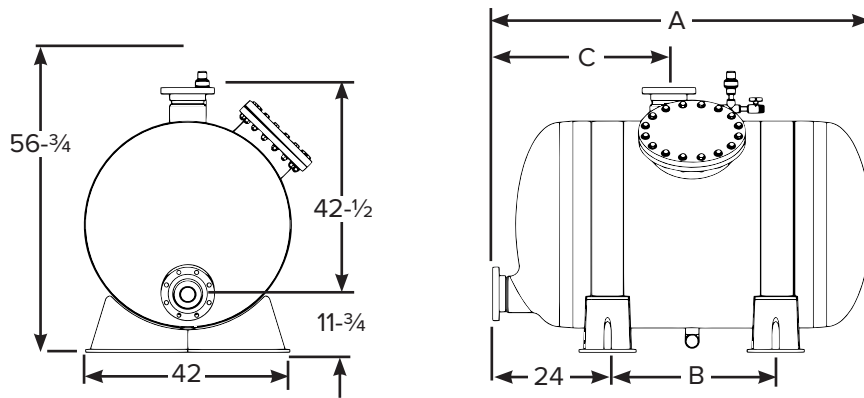
### Energy Savings During Operation



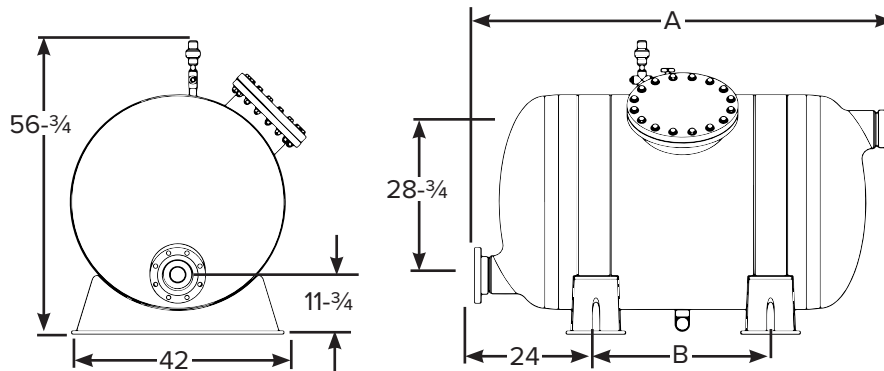
7/23/2020

# HIGH RATE SAND FILTER

## Multiple Configurations



Part Numbers	INLET/OUTLET	LENGTH (Inches) A	LENGTH (Inches) B	FILTER AREA (ft <sup>2</sup> )	FLOW 20 gpm/ ft <sup>2</sup> (gpm)	DP (psi)
FPT-HSF42H72A	6	77-3/4	34-3/4	19.8	395	3-1/2
FPT-HSF42H96A	6	101-3/4	58-3/4	26.8	535	3-1/2
FPT-HSF42H120A	6	125-3/4	82-3/4	33.8	675	3-1/2
FPT-HSF42H144A	6	149-3/4	106-3/4	40.8	815	3-1/2



Part Numbers	INLET/OUTLET	LENGTH (Inches) A	LENGTH (Inches) B	FILTER AREA (ft <sup>2</sup> )	FLOW 20 gpm/ ft <sup>2</sup> (gpm)	DP (psi)
FPT-HSF42H72B	6	82-3/4	34-3/4	19.8	395	3-1/2
FPT-HSF42H96B	6	106-3/4	58-3/4	26.8	535	3-1/2
FPT-HSF42H120B	6	130-3/4	82-3/4	33.8	675	3-1/2
FPT-HSF42H144B	6	154-3/4	106-3/4	40.8	815	3-1/2

7/23/2020