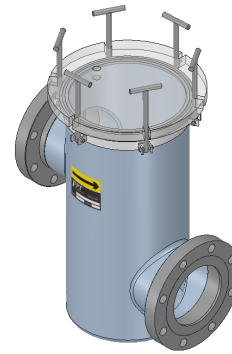
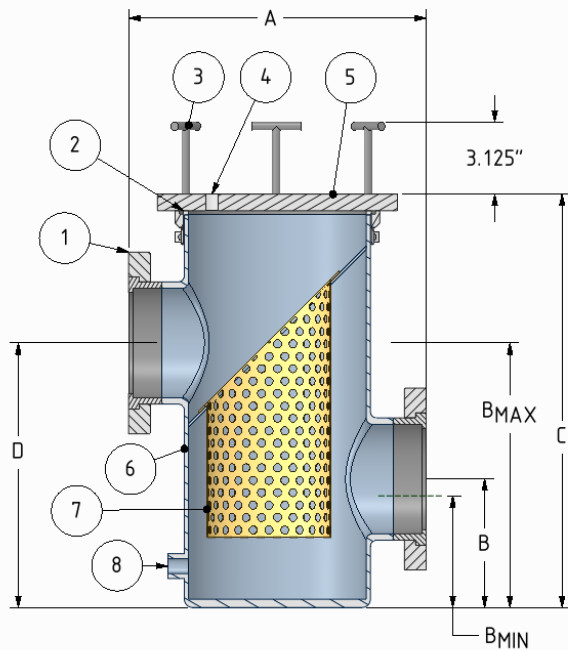


Fluidtrol SW Series Offset FRP Molded Hair and Lint Strainer



Pressure Rating: 50 psi
Max Temp: 140 °F

ITEM	PART	MATERIAL
1	FLANGE	PVC
2	GASKET	O-RING
3	T-HANDLE	SS316
4	VENT	½" PVC FPT
5	COVER	CAST ACRYLIC
6	BODY	FRP
7	BASKET	1/8" PERF SS316
8	DRAIN	PVC NPT INLET SIDE

Qty	Model No.	Strainer Size	Face to Face A	Influent Center Line D	Height C	Drain NPT	Weight LBS	Effluent Center Line		
								B _{MIN}	B _{MAX}	B Desired
	SW116102032	2	11	10 ½	18	½	27	3 1/4	10 ½	
	SW116102532	2.5	11	10 ½	18	½	27	3 3/4	10 ½	
	SW116103032	3	11	10 ½	18	½	27	4	10 ½	
	SW116104032	4	13 ¾	11 5/8	20	½	31	4 3/4	11 5/8	
	SW116105032	5	17	16	25	¾	43	5 1/4	16	
	SW116106032	6	18	16	25	¾	45	5 3/4	16	
	SW116108032	8	20	21 ½	33	¾	63	7	21 ½	
	SW116110032	10	22	23	37	1	82	8 1/4	23	
	SW116112032	12	27 ½	31 5/8	45 ½	1	135	9 3/4	31 5/8	
	SW116114032	14	35	32 ½	47	1	168	10 3/4	32 ½	
	SW116116032	16	35	33 5/8	52	1	193	12 1/4	33 5/8	

The Fluidtrol SW OFFSET Series is made to same specifications as the standard SW Series- only with the flexibility of a variable outlet elevation to match up with pump inlet. The dimensions listed in **B_{MIN}** and **B_{MAX}** are the ranges for the corresponding strainer size. Please provide your desired B Dimension.