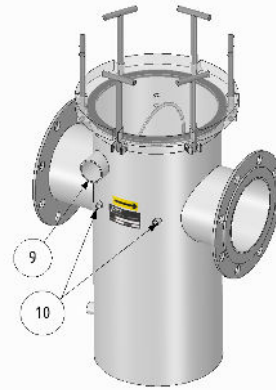
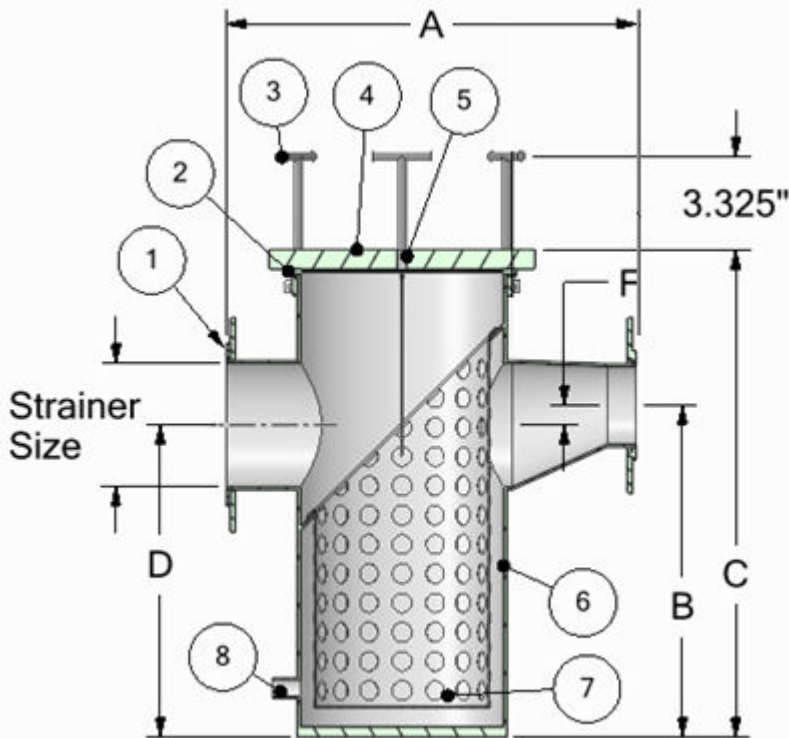


Fluidtrol RSW Series SS Reducing H/L Strainer



Pressure Rating: 50 psi
Max Temp: 140 °F

ITEM	PART	MATERIAL
1	FLANGE	SS304 Van Stone
2	GASKET	FLAT GASKET-EPDM
3	T-HANDLE	SS316
4	COVER	CAST ACRYLIC
5	VENT	½" PVC FPT
6	BODY	SS SCH 10
7	BASKET	⅛" PERF SS316
8	DRAIN	SS304 NPT
9	VAC PORT	1-1/2" Vacuum port
10	PRESSURE TAP	¼" Pressure Taps

Qty	PN	Strainer Size	Face to Face A	Effluent Center Line B	Height C	Influent Center Line D	Weight LBS	Notes
	RSW166110431	10 x 4	29 5/8	26	37	23	130	
	RSW166110531	10 x 5	29 5/8	25 ½	37	23	134	
	RSW166110631	10 x 6	29 5/8	25	37	23	138	
	RSW166110831	10 x 8	29 ½	24	37	23	142	
	RSW166112531	12 x 5	33 ½	35 1/8	45 ½	31 5/8	210	
	RSW166112631	12 x 6	33 1/8	34 5/8	45 ½	31 5/8	214	
	RSW166112831	12 x 8	32 ¾	33 5/8	45 ½	31 5/8	218	
	RSW1661121031	12 x 10	32 ¾	32 5/8	45 ½	31 5/8	221	
	RSW166114631	14 x 6	42 ½	36 ½	47	32 ½	280	
	RSW166114831	14 x 8	42 ½	35 ½	47	32 ½	284	
	RSW1661141031	14 x 10	41 ½	34 ½	47	32 ½	290	
	RSW1661141231	14 x 12	40 ½	33 ½	47	32 ½	295	

The Fluidtrol SW SS Series is a metallic housing inline basket strainer engineered for commercial aquatic applications such as swimming pools and waterparks. Wetted surfaces are comprised of Stainless Steel, Acrylic and EPDM. The standard basket is SS316- 1/8" Perforations, but many options exist for clients requiring a different filtration level or material of construction. Contact Fluidtrol if custom configurations or dimensions are required.

SPECIFICATION FOR STAINLESS STEEL BASKET STRAINERS

1.) SCOPE

THIS SPECIFICATIONS COVERS REQUIREMENTS FOR STAINLESS STEEL STRAINERS, WYE AND BASKET TYPES INTENDED FOR USE IN AQUATIC PIPING SYSTEMS WHERE MAXIMUM RESISTANCE TO CORROSION, PRESSURE AND TEMPERATURE IS REQUIRED.

2.) STRAINER DESIGN

2.1 Strainer shall be flanged basket type.

2.2 Body configuration shall be in-line.

2.3 Basket shall be 316 SS, Perforations 1/8" on 3/16" staggered centers or as required. Basket shall be heavy duty- consisting of 12 gauge basket flanges and a minimum of 18 gauge perforated stainless.

2.4 Minimum open area ratio of basket to inlet pipe ID shall be 4 to 1.

2.5 All strainers shall be furnished with minimum 1/2" threaded drain, two 1/4" threaded pressure taps and one 1-1/2" threaded vacuum port.

2.6 Cover shall be clear acrylic- minimum 1" thick with 1/2" threaded vent tap- gasket material EPDM. Closure shall be stainless steel "tee handle" design.

2.7 Strainer housing shall be rated for 50 psi (NON SURGE LOAD) at 75 deg. F. Will be hydrostatically tested.

2.8 Vendor shall supply min 5 years service history of applications in similar service.

2.9 Strainers shall be as manufactured by Fluidtrol Process Technologies, Inc.

3.) CONSTRUCTION

3.1 Strainer body shall be SCH 10 304 SS.

3.2 Cover closure shall be stainless steel "tee handle" design machined from solid rod stock- 316 SS.

3.3 Flanges shall be 150# Van Stone dimensions- 304 SS Stub ends and 304 SS back-up rings.

3.4 All exterior coated with corrosion resistant stainless flake paint.

4.0) STANDARDS

4.1 All products/materials/welding shall conform to or exceed the specifications as set forth in the following standards:

AWSD1.1 AWSD1.3