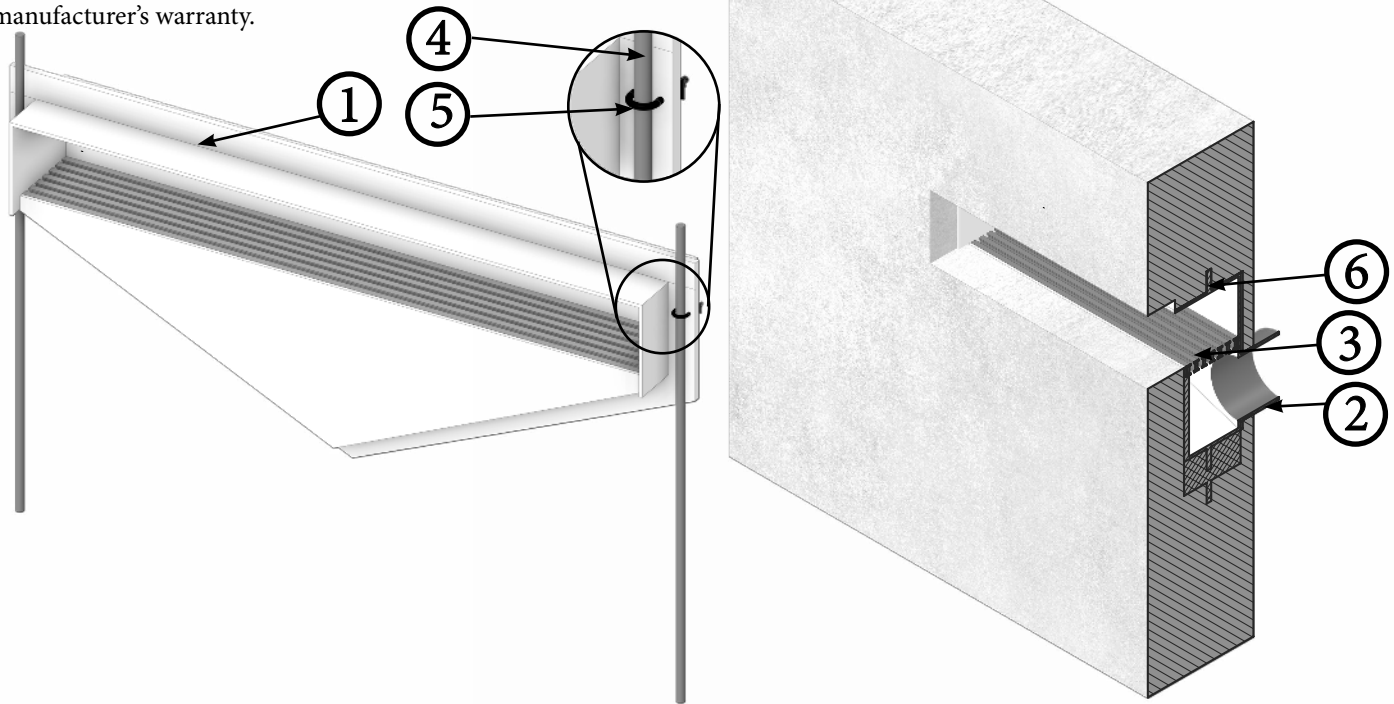




Fluidtrol's modular skimmer is designed to capture large debris near the surface of wave pools and lazy rivers. Created for ease of placement, it is a high quality, cost-efficient alternative to labor intensive poured concrete designs.

Placed prior to pouring concrete, these wall drains stay formed in the wall with a 2" fiberglass reinforcement waterstop flange which provides excellent structural stability and solid sealing surface.

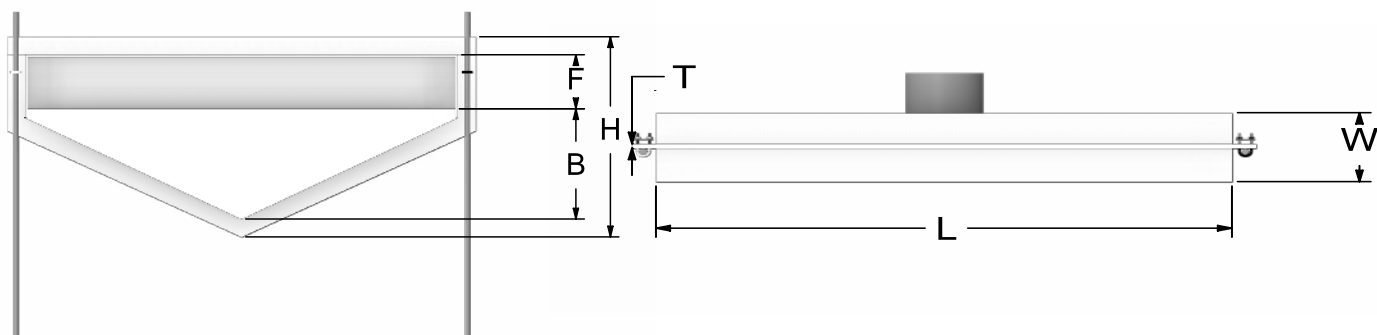
Standing behind our commitment to the best quality products on the market, our skimmer is backed by a 10 year manufacturer's warranty.



Skimmer is embedded 4 inches into concrete at the front of the base with a wall thickness of 12" for illustration purposes only.

Item	Part	Material	Description
1	Skimmer Body	Fiberglass	Molded Gel Coat Internal Finish-UV Inhibited
2	Coupling Outlet	SCH80 PVC	Available in 3", 4", or 6" Sizes
3	Strongwell Grating	I4000	Strong Fiberglass Construction
4	Rebar	Carbon Steel	Supports Rebar sizes up to 5/8" (Not Included)
5	U-Bolt	Black-Oxide Steel	Clamps rebar up to 5/8" to hold in position until pour.
6	Waterstop	Fiberglass	Buffer preventing any possible leakage of the skimmer. *Top water stop (in yellow) is optional for lazy river designs.





PN	Pipe Size (in)	Width "W" (in)	Length "L" (in)	Height "H" (in)	Window Height "F" (in)	Grating to Base Height "B" (in)	Waterstop Thickness "T" (in)
WBS80304806	3	7.25	48.5	22.25	6	12.25	0.5
WBS80404806	4	7.25	48.5	22.25	6	12.25	0.5
WBS80604806	6	7.25	48.5	22.25	6	12.25	0.5
WBS80804806	8	7.25	48.5	22.25	6	12.25	0.5

### Installation Instructions

1. Use rebar to secure the Skimmer in place.
2. Level skimmer with U-Bolts and tighten.

### Maintenance Instructions

1. Remove loose items from grating surface regularly.
2. To clean fine debris, remove grating and vacuum out housing.

Rev. 11/02/23

