

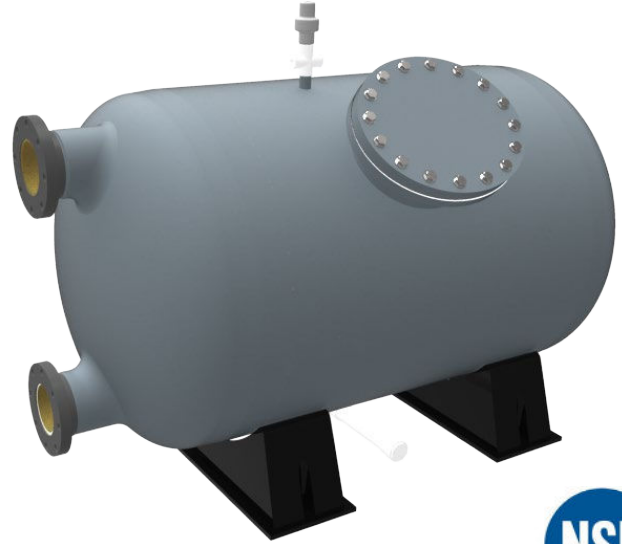
HIGH RATE SAND FILTER

Designed for Quick Installation

Rugged lateral and diffusers are pre-installed and should never need maintenance.

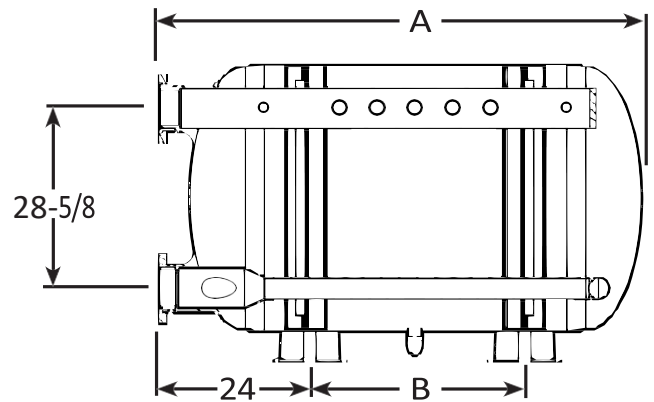
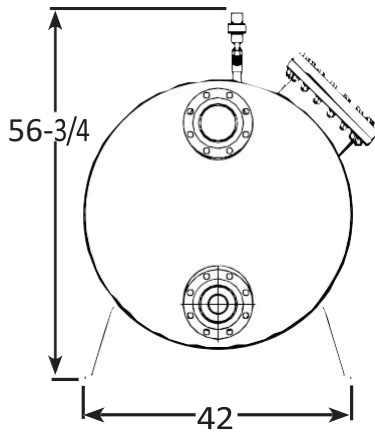
Load filter without going inside, reduces time and cost.

Removable air release assembly allows for lower clearance during installation.



Customer Committed

- 30+ years in Aquatic Manufacturing
- 98+% Customer Satisfaction
- Immediate US Customer Support
- Support parts ship next day
- US Based Manufacturing

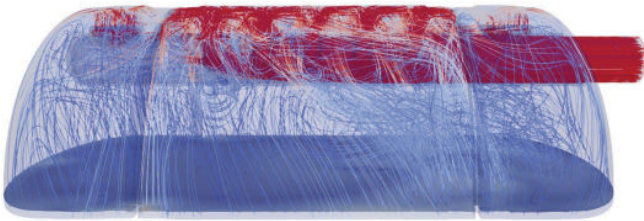


PRESSURE RATING: 50 PSI
SERVICE FLUID: POOL
VENT: 1" NPT
DRAIN: 2" NPT
FLOW: 5-20 GPM/ FT²

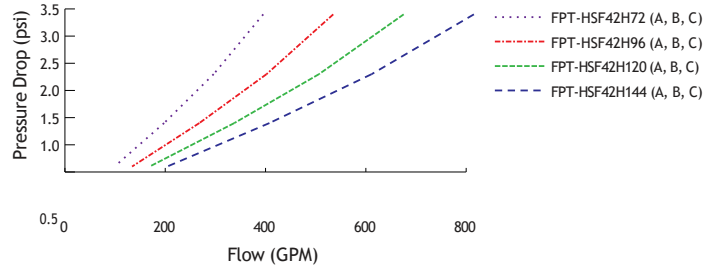
Part Numbers	INLET/OUTLET	LENGTH (Inches) A	LENGTH (Inches) B	FILTER AREA (ft ²)	FLOW 20 gpm/ ft ² (gpm)	DP (psi)
FPT-HSF42H72C	6	76-3/4	34-3/4	19.8	395	3-1/2
FPT-HSF42H96C	6	100-3/4	58-3/4	26.8	535	3-1/2
FPT-HSF42H120C	6	124-3/4	82-3/4	33.8	675	3-1/2
FPT-HSF42H144C	6	148-3/4	106-3/4	40.8	815	3-1/2

HIGH RATE SAND FILTER

Innovative Engineering



Clean Filter Pressure Drop



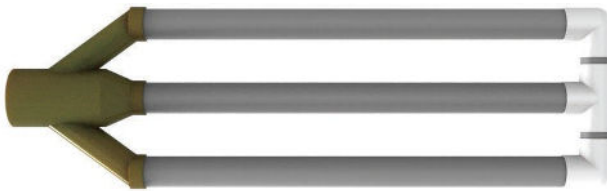
The effluent uses the TRIFLOW, which balances flow across three laterals with minimal pressure drop.

Traditional lateral designs have significant pressure drop, robbing the pump of power.

Our design was developed through multiple iterations of computational fluid dynamics and validated in an independent lab.

Reducing the clean filter pressure drop directly translates into energy savings. A leading pool filter manufacturer has filters ranging from 12 to 15 psi pressure drop. Our filters can reduce the pump electrical demand 60-77%. LEED methodology gives credits to pool designers that choose innovative designs that reduce capital costs and wasted energy.

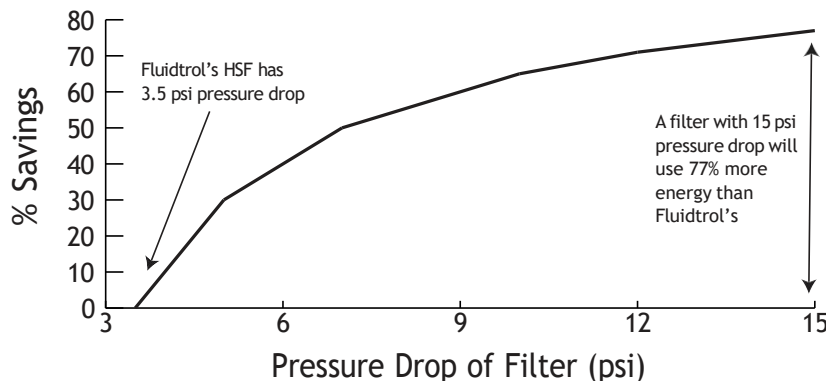
Fluidtrol has engineering support for technical questions.



Fluidtrol's TRIFLOW balances flow across three laterals.

US Patent Pending

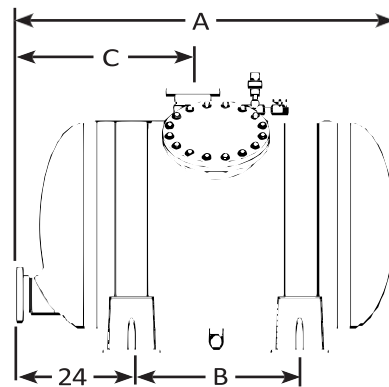
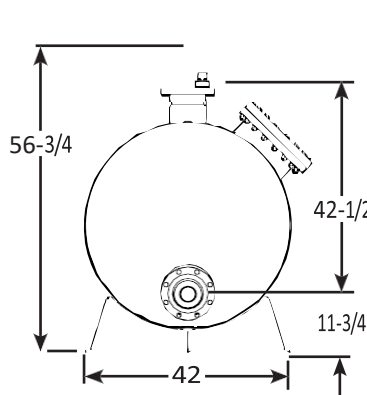
Energy Savings During Operation



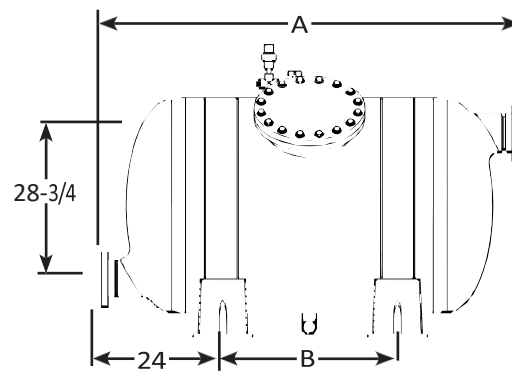
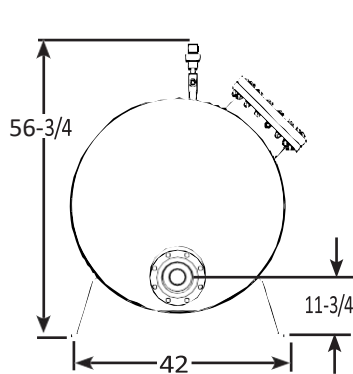
4/23/2024

HIGH RATE SAND FILTER

Multiple Configurations



Part Numbers	INLET/OUTLET	LENGTH (Inches) A	LENGTH (Inches) B	FILTER AREA (ft ²)	FLOW 20 gpm/ ft ² (gpm)	DP (psi)
FPT-HSF42H72A	6	77-3/4	34-3/4	19.8	395	3-1/2
FPT-HSF42H96A	6	101-3/4	58-3/4	26.8	535	3-1/2
FPT-HSF42H120A	6	125-3/4	82-3/4	33.8	675	3-1/2
FPT-HSF42H144A	6	149-3/4	106-3/4	40.8	815	3-1/2



Part Numbers	INLET/OUTLET	LENGTH (Inches) A	LENGTH (Inches) B	FILTER AREA (ft ²)	FLOW 20 gpm/ ft ² (gpm)	DP (psi)
FPT-HSF42H72B	6	82-3/4	34-3/4	19.8	395	3-1/2
FPT-HSF42H96B	6	106-3/4	58-3/4	26.8	535	3-1/2
FPT-HSF42H120B	6	130-3/4	82-3/4	33.8	675	3-1/2
FPT-HSF42H144B	6	154-3/4	106-3/4	40.8	815	3-1/2

HIGH RATE SAND FILTER

Volume and Weight Summary

Model/Part No.	Dimensions	Filtration Area – ft ²	Sand Volume ft ³	Gravel Volume ft ³	Total Operational Weight lbs	Filter Net Weight
FPT-HSF42H72C	42"x72"	19.8	19.8	8.9	2,670.7	680
FPT-HSF42H96C	42"x96"	26.8	27.4	12.1	3,305.0	720
FPT-HSF42H120C	42"x120"	33.8	34.9	15.4	3,949.3	770
FPT-HSF42H144C	42"x144"	40.8	42.5	18.6	4,583.6	810

Limited Warranty

Fluidtrol Process Technologies warrants all 50 psi granular media fluid filtration products, manufactured by Fluidtrol and bearing the Fluidtrol brand name. Warranty initiates as of the date of installation with the first year as unconditional to be free from defects in material and workmanship. Filter tank shall carry a ten (10) year non-pro-rated warranty. Internals shall carry a five (5) year warranty, face pipe shall carry a three (3) year warranty, and all accessories including but not limited to sight glass, pressure gauges, air relief assembly, valves and drain assembly shall carry a one (1) year warranty.

Except as stated herein, Fluidtrol's liability for incidental and consequential damages is hereby excluded to the full extent permitted by law. The above warranties are in lieu of all other warranties expressed or implied, and all implied warranties of merchantability and fitness for a particular purpose are hereby disclaimed and excluded from this agreement.