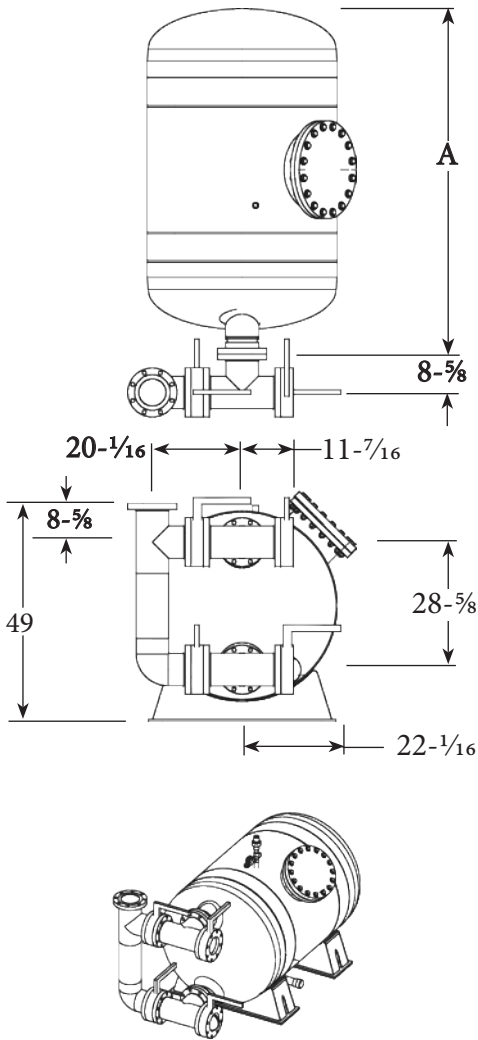
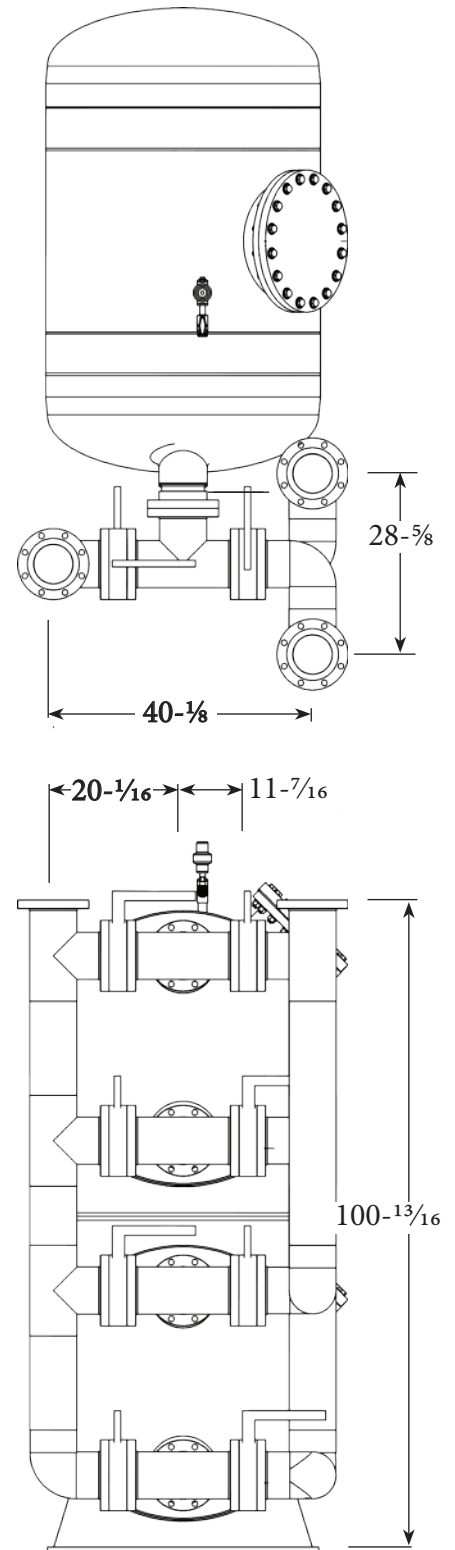
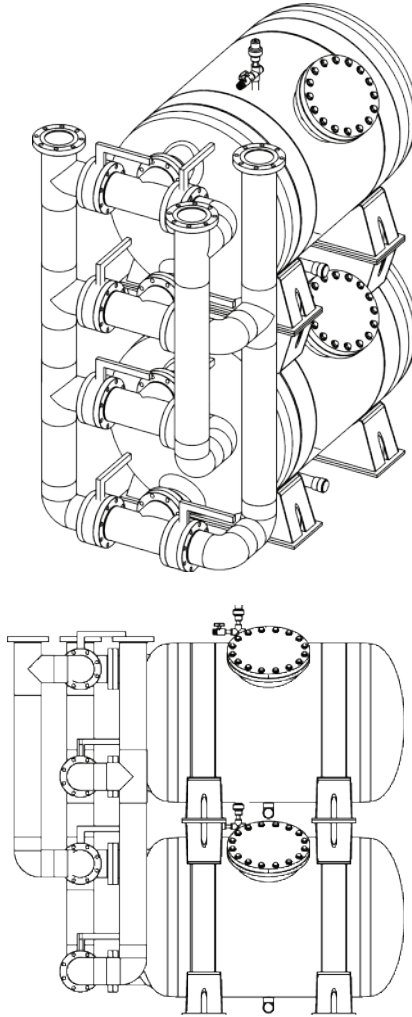


SINGLE TANK FACE PIPING OPTION



STACKED TANK FACE PIPING OPTION



PN	Inlet/ Outlet	Length (inch) A	Filter Area (ft ²)	Flow 20 gpm/ft ² (GPM)	DP (psi)
FPT-HSF42H72C	6	76 3/4	19.8	395	3 1/2
FPT-HSF42H96C	6	100 3/4	26.8	535	3 1/2
FPT-HSF42H120C	6	124 3/4	33.8	675	3 1/2
FPT-HSF42H144C	6	148 3/4	40.8	815	3 1/2



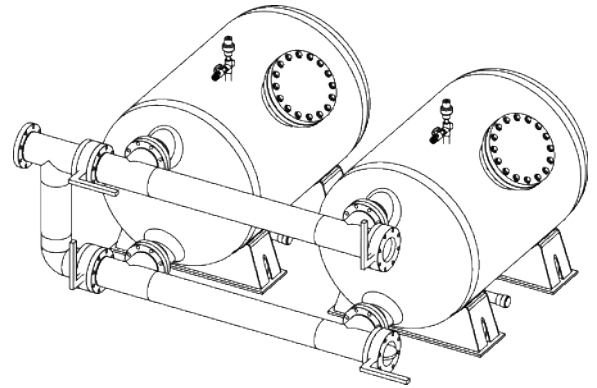
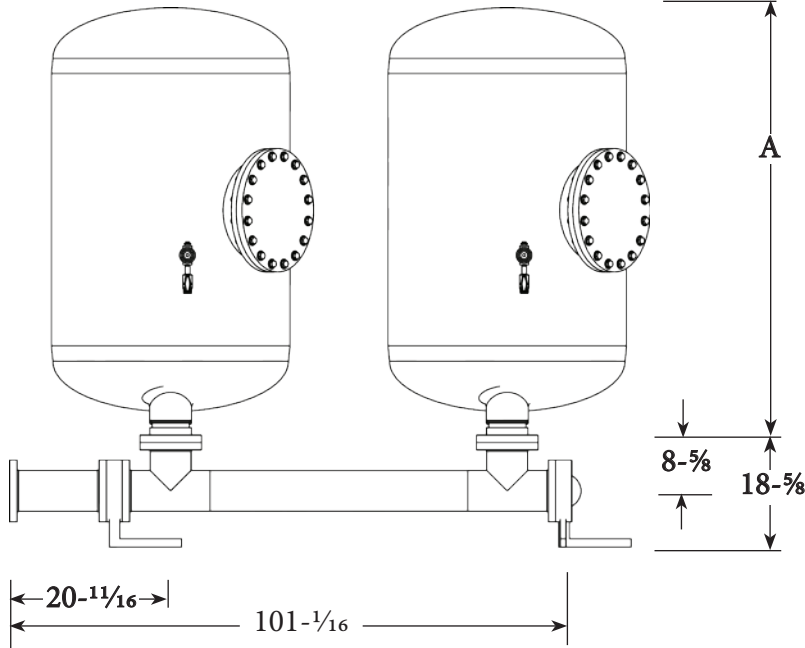
WWW.FLUIDTROL.COM

888-551-0511

FLUIDTROL PROCESS TECHNOLOGIES, INC.
2750 HW 72 E
HUNTSVILLE, AL 35811



**MULTIPLE TANK
SIDE BY SIDE
FACE PIPING OPTION**

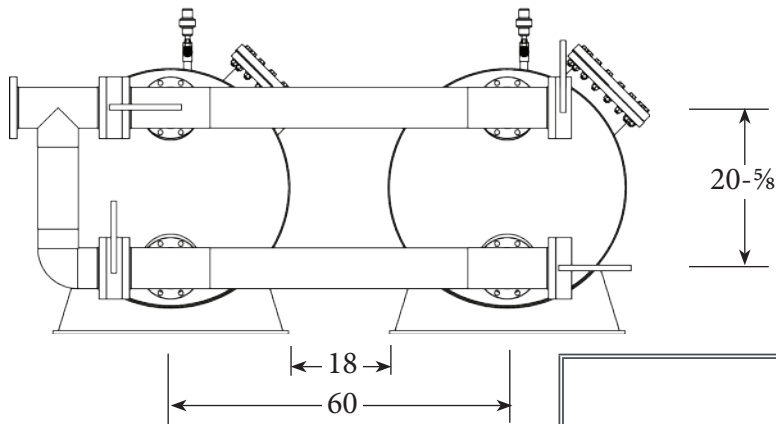


The Type C Filter face piping illustrated here minimizes the number of elbows and valves. All filters are backwashed together.

The pressure drop provided in the table is for the filter only. The pressure drop across the face piping will depend on selected valves, pipe size, and fittings.

The dimensions to the left and data in the table below assumes two filters.

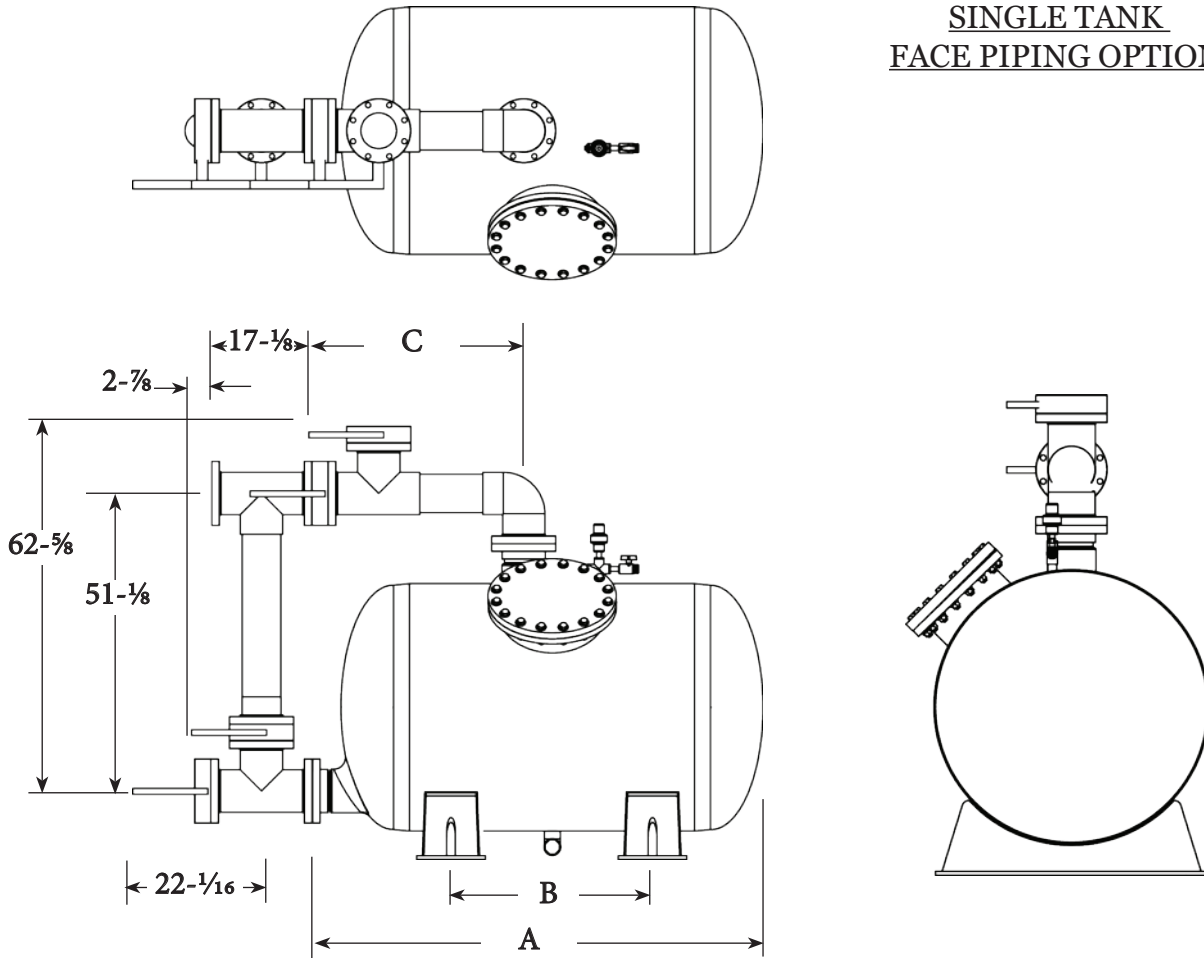
If the manway is desired to be fabricated on the opposite side please contact Fluidtrol.



Filter PN	Inlet/Outlet	Length (inch) A	Duplex Filter Area (ft ²)	Duplex Flow 20 gpm/ft ² (GPM)	Filter DP (psi)
FPT-HSF42H72C	6	76 3/4	39.6	790	3 1/2
FPT-HSF42H96C	6	100 3/4	53.6	1070	3 1/2
FPT-HSF42H120C	6	124 3/4	67.6	1350	3 1/2
FPT-HSF42H144C	6	148 3/4	81.6	1630	3 1/2



SINGLE TANK FACE PIPING OPTION



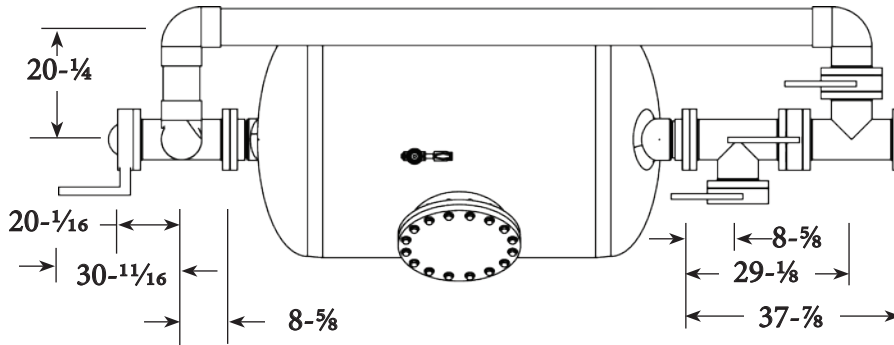
This Type A Filter should accommodate off the shelf multi-port valves. If those valves are not desired standard butterfly valves can be used as shown below.

The pressure drop provided in the table is for the filter only. The pressure drop across the face piping will depend on selected valves, pipe size, and fittings.

Filter PN	Inlet/ Outlet	Length (inch) A	Length (inch) B	Length (inch) C	Filter Area (ft ²)	Flow 20 gpm/ft ² (GPM)	Filter DP (psi)
FPT-HSF42H72A	6	77 3/4	34 3/4	36 1/4	19.8	395	3 1/2
FPT-HSF42H96A	6	101 3/4	58 3/4	48 1/4	26.8	535	3 1/2
FPT-HSF42H120A	6	125 3/4	82 3/4	60 1/4	33.8	675	3 1/2
FPT-HSF42H144A	6	149 3/4	106 3/4	72 1/4	40.8	815	3 1/2

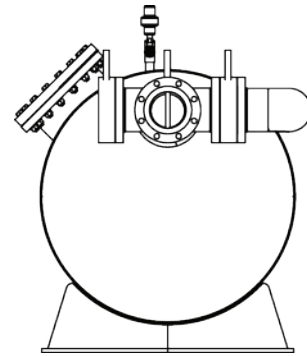
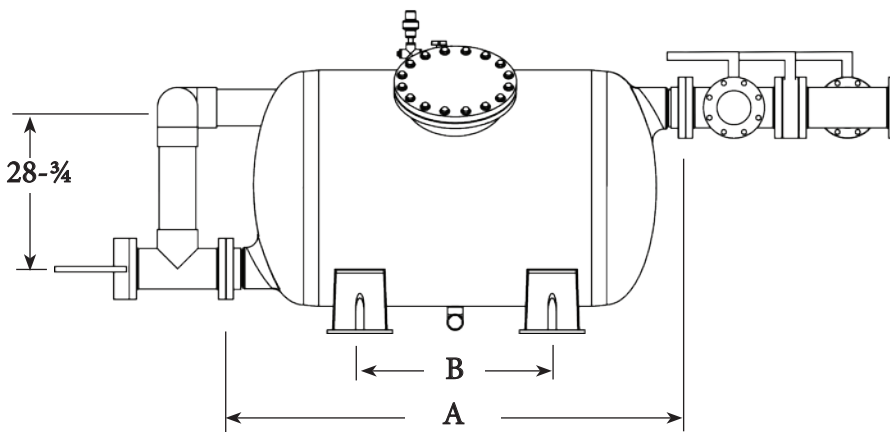


SINGLE TANK FACE PIPING OPTION



Type B Filters facilitate piping the pump and backwash line on opposite side as the pool line. This configuration will have lower face piping pressure drop during filtration mode because there are fewer elbows for the water to flow through.

The pressure drop provided in the table is for the filter only. The pressure drop across the face piping will depend on selected valves, pipe size, and fittings.



Filter PN	Inlet/ Outlet	Length (inch) A	Length (inch) B	Filter Area (ft ²)	Flow 20 gpm/ft ² (GPM)	Filter DP (psi)
FPT-HSF42H72B	6	82 3/4	34 3/4	19.8	395	3 1/2
FPT-HSF42H96B	6	106 3/4	58 3/4	26.8	535	3 1/2
FPT-HSF42H120B	6	130 3/4	82 3/4	33.8	675	3 1/2
FPT-HSF42H144B	6	154 3/4	106 3/4	40.8	815	3 1/2

