

Designed with longevity in mind

Deep media bed and low turbidity make for long term filter operation between media change outs.

Load filter without going inside, reduces time and cost.

Full body circular base for greater stability.



Customer Committed

30+ years in Aquatic Manufacturing
 98+% Customer Satisfaction
 Immediate US Customer Support
 Support parts ship next day
 US Based Manufacturing

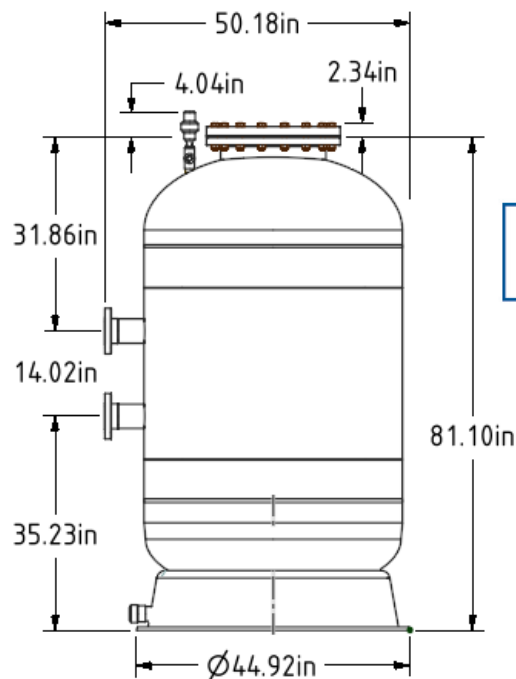
PRESSURE RATING: 50 PSI

SERVICE FLUID: POOL

VENT: 1" NPT

DRAIN: 2" NPT

FLOW: 5-20 GPM/ FT²



PN	Inlet/Outlet	Filter Area (ft ²)	Flow 20 gpm/ft ² (GPM)	DP (psi)
FPT-DBF42V72D	3"	9.62	192	16

9/27/2021



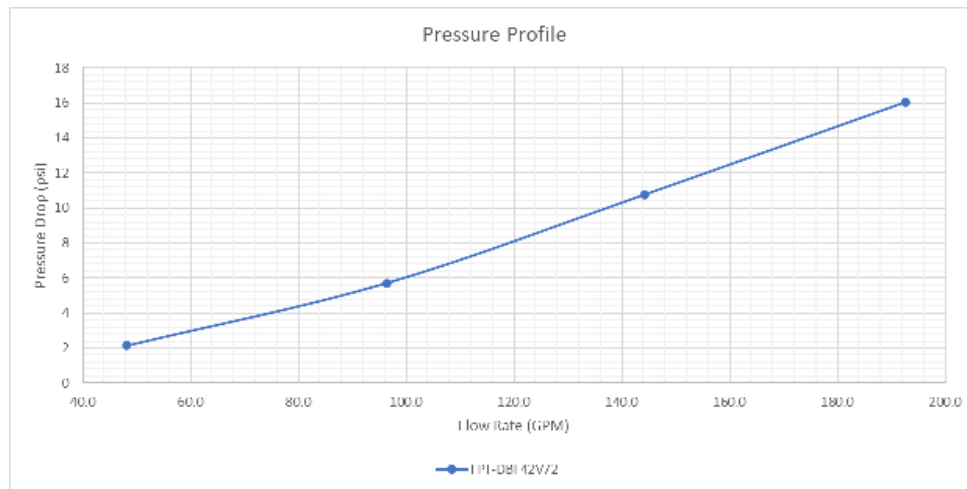
WWW.FLUIDTROL.COM

888-551-0511

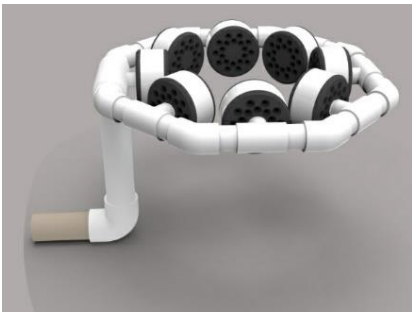
FLUIDTROL PROCESS TECHNOLOGIES, INC.
 2750 HW 72 E
 HUNTSVILLE, AL 35811



Pressure Drop

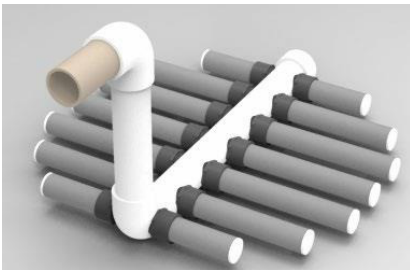


Deep Bed Internals



Fluidtrol's deep bed vertical filters are designed to provide consistent distribution of water across the entire sand bed, providing full coverage filtration and fantastic water clarity.

Diverter assembly allows line of sight media installation without the need to remove assembly.



Laterals constructed of robust Sch. 80 PVC compared to industry wide Sch. 40 PVC and EPDM.

9/27/2021



WWW.FLUIDTROL.COM

888-551-0511

FLUIDTROL PROCESS TECHNOLOGIES, INC.
2750 HW 72 E
HUNTSVILLE, AL 35811

