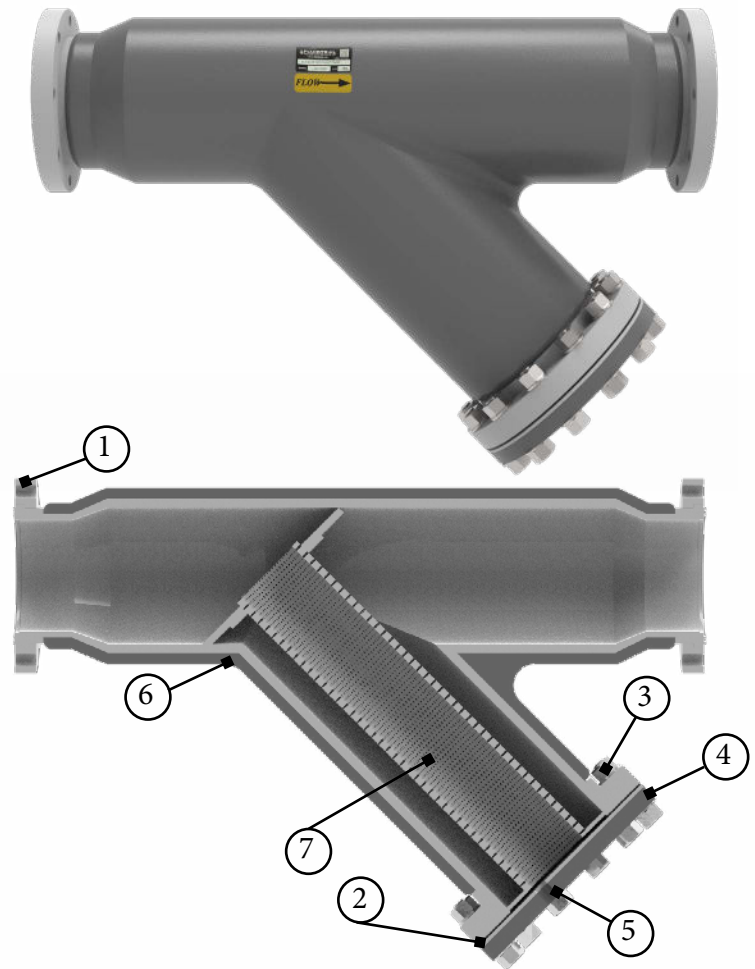




The Fluidtrol Wye (Y) GS Series is a non-metallic housing inline strainer, engineered for corrosive industrial systems with limited vertical height.

Wetted housing surfaces are comprised of a plastic liner made of PVC, CPVC, PP, or PVDF. The structural reinforcement is made of corrosion resistant FRP coated with a UV inhibited layer of protection. This dual laminate construction offers high corrosion resistance along with the structural integrity to last a project lifespan of 15-20 years.

The standard strainer basket material matches the liner of the strainer housing, and has 1/4" perforations. Several options exist for clients requiring a different filtration level or material of construction as shown on Page 2.



Item	Part	Material
1	Flange	Liner Plastic
2	Gasket	EPDM Standard
3	Fastener	SS304 Standard
4	Cover	Liner Plastic/FRP
5	Drain/Blowdown	Liner Plastic
6	Body	Linear Plastic/FRP
7	Basket	1/4" Perf Liner Plastic

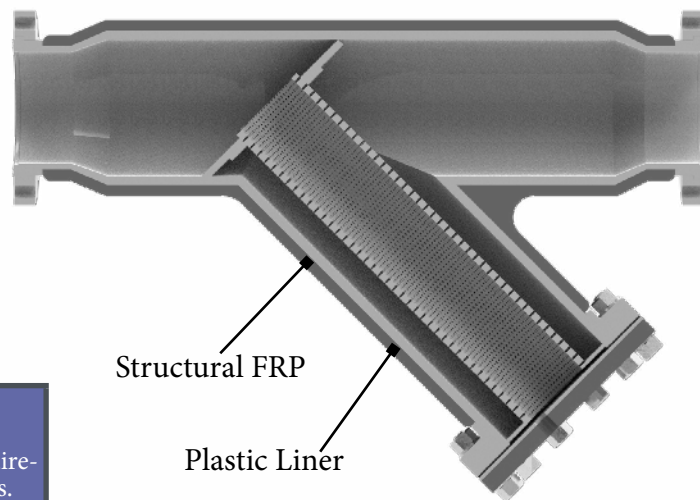
Wye GS CPVC	Wye GS CPVC	Wye GS PP	Wye GS PVDF	Strainer Size	Face to Face (inch) A	Height (inch) H	Length (inch) L	Basket Area/ Inlet Area
WY111002037	WY122002037	WY133002037	WY144002037	2	23	12	15 5/8	23
WY111003037	WY122003037	WY133003037	WY144003037	3	28	18	21 3/8	10.2
WY111004037	WY122004037	WY133004037	WY144004037	4	32	18	23	16.5
WY111005037	WY122005037	WY133005037	WY144005037	5	39	20 7/8	28 1/4	13.6
WY111006037	WY122006037	WY133006037	WY144006037	6	39	20 7/8	28 1/4	13.6
WY111008037	WY122008037	WY133008037	WY144008037	8	48	26	33 1/8	11.8
WY111010037	WY122010037	WY133010037	WY144010037	10	50	32 7/8	35	10.5
WY111012037	WY122012037	WY133012037	WY144012037	12	56	32 7/8	41 7/8	10
WY111014037	WY122014037	WY133014037	WY144014037	14	60	41	45 1/4	9.9

Contact Fluidtrol if custom configurations or dimensions are required. Most custom works is 20% extra.





Plastic Liner	Max Temperature	Max Pressure Rating*
PVC	140 F	150 psi
CPVC	180 F	150 psi
PP	180 F	100 psi
PVDF	250 F	85 psi



All Wye-Series strainers have a certification letter available for compliance to the American Iron and Steel requirement as mandated in EPA's State Revolving Fund Programs.

BASKETS



The standard basket will be the same material as the plastic liner with 1/4 perforations. Select your basket by first determining the opening size. Next determine the material most suitable for your fluid. SS316 has the best availability. AL6XN is great for salt water. Hastelloy C276 and Monel are suitable for many fluids and a good option when mesh liners are required. PVC fairs well up to 140 F, PP and CPVC 180 F, and PVDF 250 F.

Perf/Mesh	Opening (micron)	Effective Open Area	PVC	CPVC	PVDF	PP	SS316	AL6XN	Hastelloy C276/Monel
1/4" Perf	6350	40%	\$	\$	\$	\$	\$	\$\$	\$\$\$
3/16" Perf	4762	51%					\$		
5/32" Perf	3968	63%					\$		
1/8" Perf	3175	40%	\$	\$	\$	\$	\$		\$\$\$
20 Mesh	841	21%	ETFE mesh liner is available for mesh sizes 20, 40, and 60.				\$		\$\$\$
40 Mesh	400	20%					\$		\$\$\$
60 Mesh	250	15%					\$		\$\$\$
80 Mesh	177	17%					\$		\$\$\$
100 Mesh	149	19%	PVDF mesh liner available				\$		

Rev. 11/30/23

