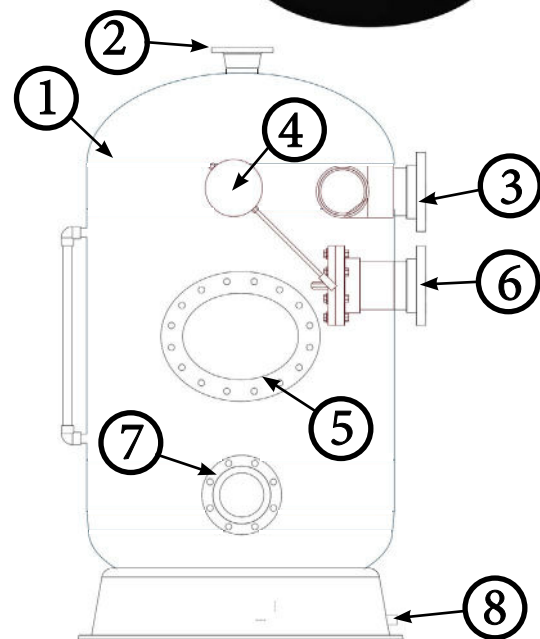
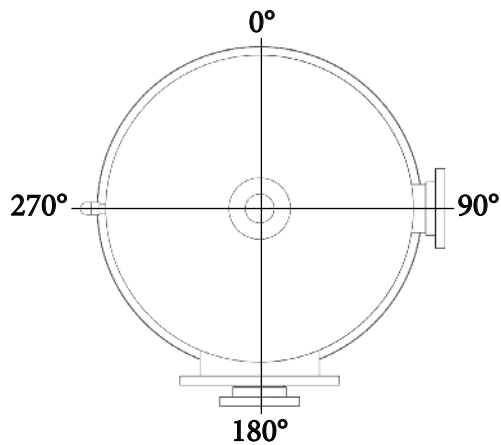


Fluidtrol's Surge Tank is designed to store displaced water in pools to maintain a consistent water level and prevent flooding of the gutter system. The Surge Tank regulates the flow based on the water level using a modulating float valve, limiting the pressure and speed of water back into the pool.

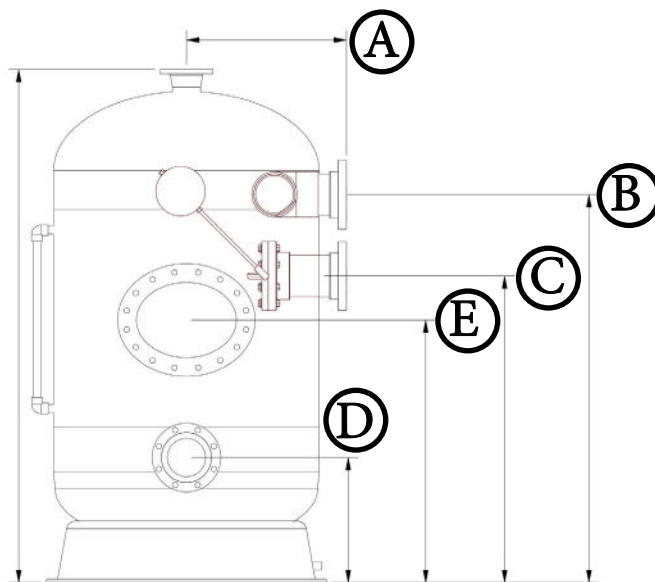
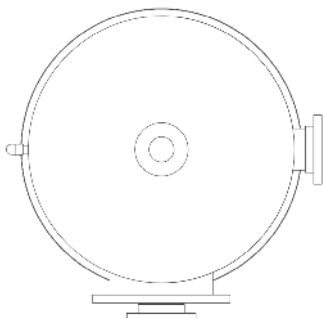
The tank must be installed below pool deck water level with the vent line above water level to function properly. The tanks are available in different diameters for maximum capacity, and multiple tanks can work in tandem using an equalizer line. Probe chamber for use with water level controller is also available.

Each Surge Tank is designed to customer specifications to accommodate capacity, flow rate, and pressure requirements.



Item	Part	Material	Description
1	Tank Body	FRP	Available in different diameters for maximum volume.
2	Vent	FRP	Vent Flange for connection above water level
3	Gutter	FRP	Gutter Drain Connection
4	Float Valve	Polypropylene, Butyrate, T304SS	Regulates flow from Main Drain by water level.
5	Manway w/ Cover	FRP (Acrylic)	Transparent, allows interior view of water level and float.
6	Main Drain	PVC (Van Stone)	Main drain connection
7	Pump Suction	PVC (Van Stone)	Suction Connection
8	Drain Valve	FRP	Integral Drain - Allows draining of Tank





C

DIAMETER	30"	36"	42"	48"	54"	60"	66"	72"
STRAIGHT SHELL LENGTH	5'-0"	5'-0"	5'-0"	5'-0"	5'-0"	5'-0"	5'-0"	5'-0"
TOTAL OVERALL LENGTH	6'-0"	6'-2"	6'-4"	6'-5"	6'-7"	6'-10"	7'-2"	7'-2"
FULL CAPACITY (GALLONS)	202	296	411	547	704	885	1089	1319
SURGE CAPACITY (GALLONS)	66	137	243	361	515	681	871	1069
MANWAY SIZE	16" x 14"	16" x 14"	16" x 14"	16" x 14"	16" x 14"	16" x 14"	16" x 14"	16" x 14"
CALCULATED ESTIMATED WEIGHT (LBS)	505	570	630	730	905	995	1140	1380
ADDED CAPACITY PER ONE FT. OF SHELL	35	52	71	93	118	146	177	210
ADDED SURGE CAPACITY PER ONE FT. OF SHELL	11	23	41	61	86	112	140	172

Provide Flange Sizes Below

"A" - VENT								
"B" - GUTTER (WITH ELBOW)								
"C" - MAIN DRAIN	24"*	24"*	24"*	24"*	24"*	24"*	24"*	24"*
"D" - PUMP SUCTION								
"E" - MANWAY WITH COVER	N/A	N/A	N/A	N/A	N/A	N/A	N/A	N/A

	ID	OD	BC	Holes	Hole Ø	Thk.
"A" Vent						
"B" Gutter						
"C" Main Drain						
"D" Pump Section						
"E" Manway w/ Cover						

*Typical Location - Subject to design review of desired location to be provided by customer.

Rev. 02/08/24

